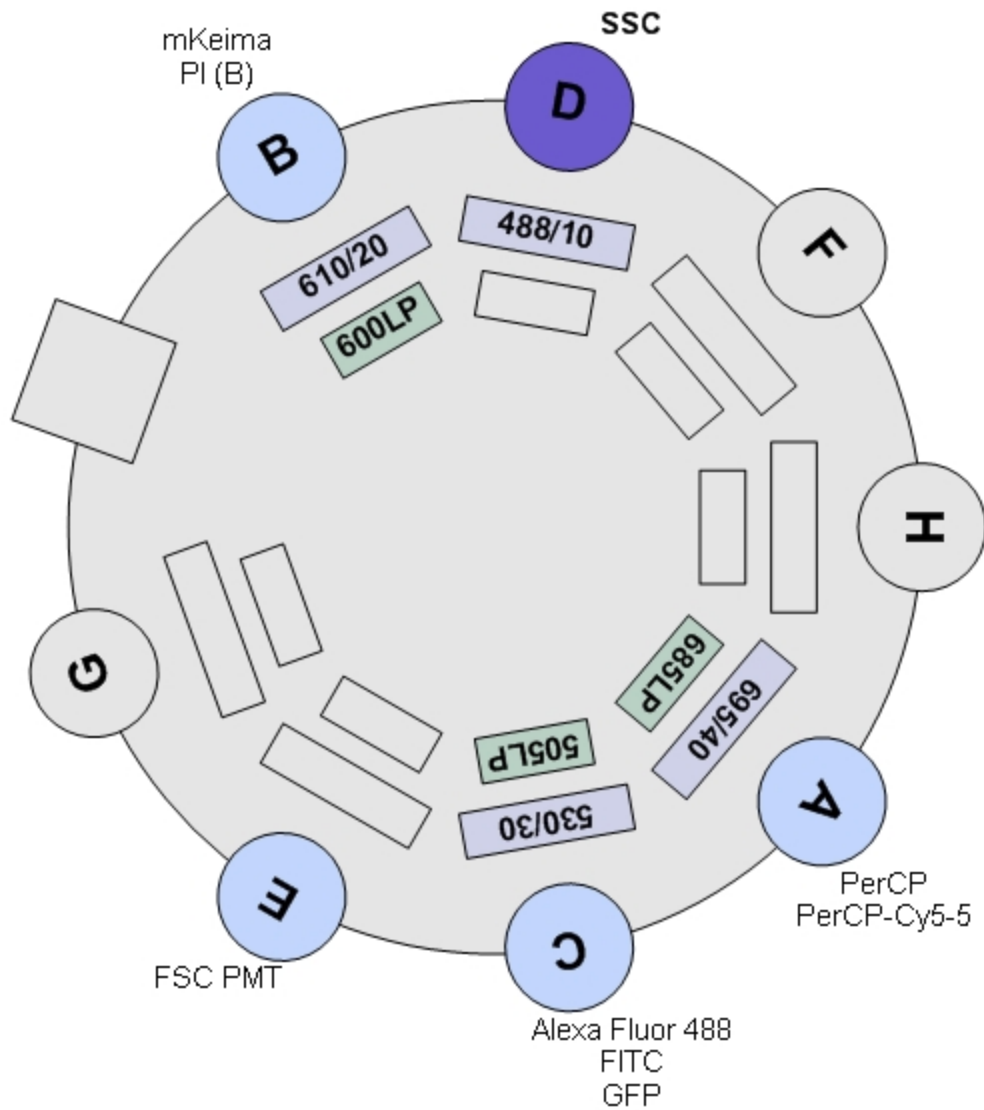


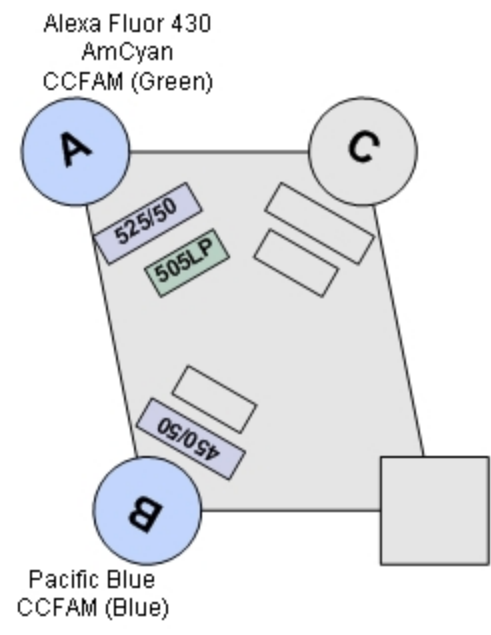
4Laser 3-Blue 2-Vio 5-YelGrn 3-Red

Cytometer:	LSRII	User:	Christiane
Cytometer Name:	LSRII	Institution:	Indiana University
Serial Number:	1	Software:	BD FACSDiva 6.1.3
Input Device:	Manual	Date:	6/27/2012 9:14:37 AM
Window Extension:	10.00		

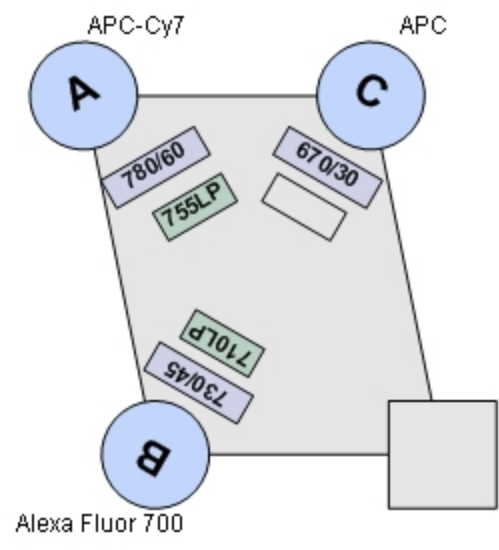
Blue Laser
(488nm)
FSC



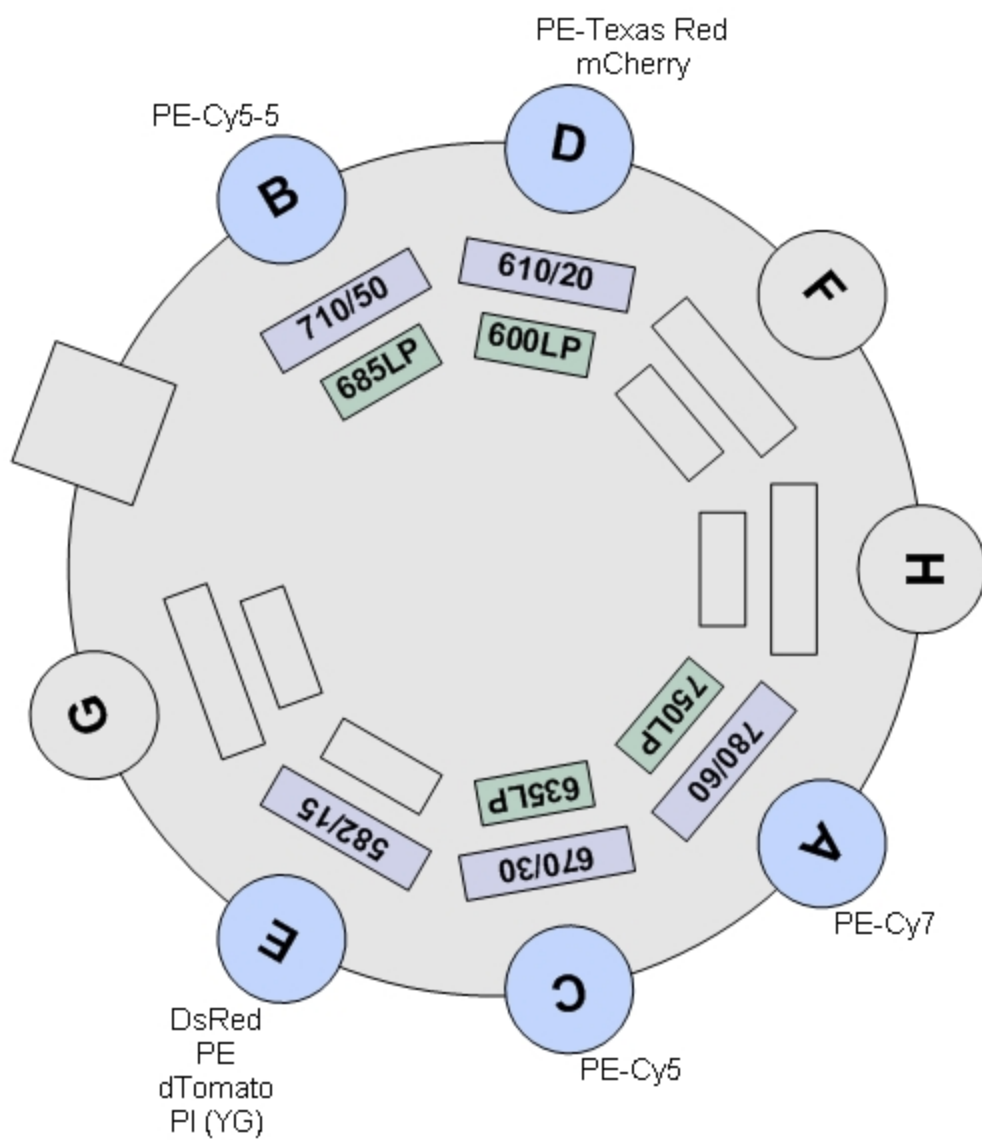
Violet Laser
(405nm)



Red Laser
(640nm)



Yellow-Green Laser
(561nm)



Comments: